

SPRINGFIELD SERIES TABLE BASE COLLECTION



SHEV

CHAIR

Visit Us Online
▶▶▶ www.shevchair.com

Manufacturers of Contract Hotel Furnishings
4800 W. Roosevelt Road, STE 201 - Chicago, IL 60644
OFFICE: (888) 532-3910 FAX: (773) 261-2808
Email: SALES@SHEVCHAIR.COM

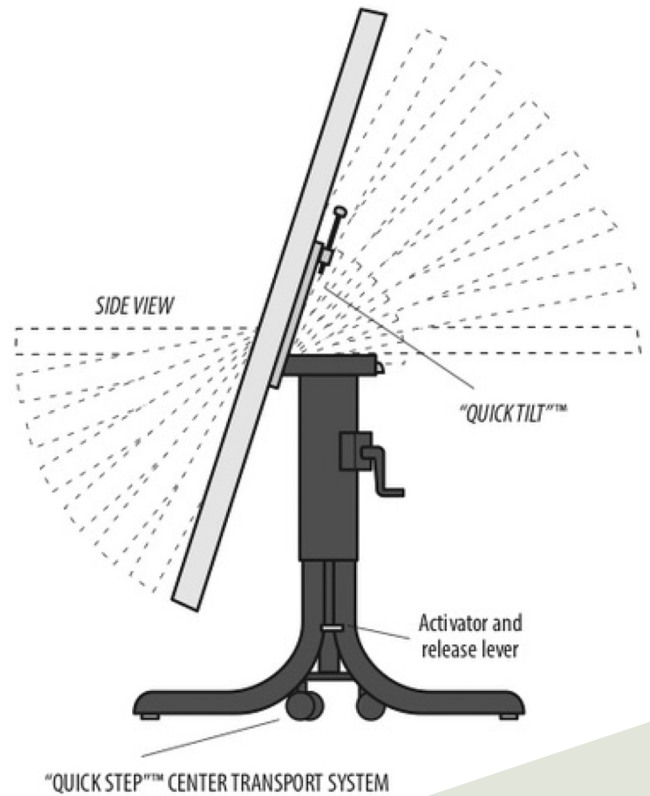
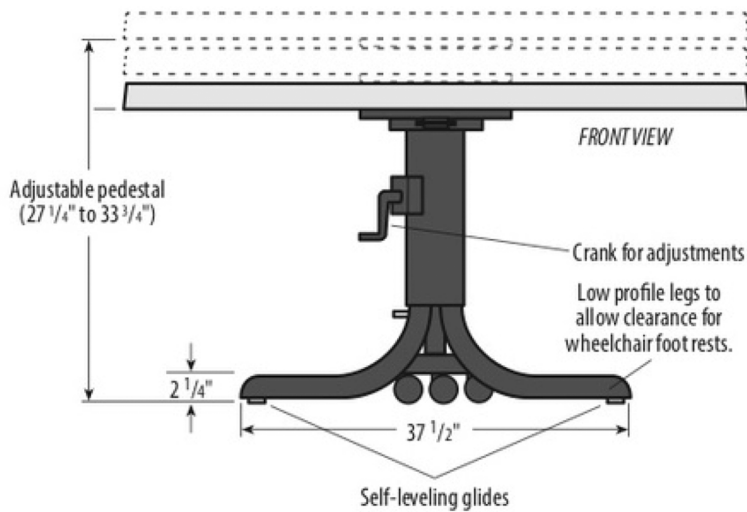


SPRINGFIELD SERIES TABLE BASE

HEIGHT ADJUSTABLE
QUICK-TILT
WHEELS FOR EASY MOBILITY

Features

- Quick tilt affords easy cleaning and nesting
- Height adjustable from 27.25" to 32.75"
- Manual crank is designed for "staff-only" operation
- Center Transport allows easy 1-person operation
- Nylon 1/2" Self-Leveling glides
- Ships fully assembled
- Available in 4 colors

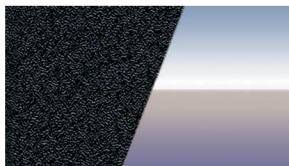


Visit Us Online
www.shevchair.com

SHEV
 CHAIR

Manufacturers of Contract Hotel Furnishings
 4800 W. Roosevelt Road, STE 201 - Chicago, IL 60644
 OFFICE: (888) 532-3910 FAX: (773) 261-2808
 Email: SALES@SHEVCHAIR.COM

CHOOSE FROM 4 FINISHES



Black Wrinkle & Chrome



Brown Wrinkle



Black Wrinkle



Silver Wrinkle



Made of high strength welded tubular steel. Tubular steel legs provide a 37" diagonal spread for safety and stability. The legs are made of steel "D" tubing that is 3/4" x 1.5" single D, of 14 gauge, the rest of the base is 12 gauge. The legs have a full radius edge design to prevent injuries and are low profile (2.25") to allow for wheelchair footrests.

Can accommodate table top sizes from 34" to 60R".

Equipped with Nylon 1/2" self-leveling glides to negate the effects of uneven floors.

Tilt is fabricated of welded steel with eight .25" screw holes to universally mount to any tabletop. Tilt is hinged and latches in a manner that is self-tightening, so the table top is always rigid when horizontal and latched.

The "Quick Tilt"™ T-bar lever allows the top to be tilted into a vertical position for multi-purpose room use, storage and transportability. It is located for staff convenience and has a set screw to ensure a tight fit.

The "Quick Step"™ Transport system operates with the touch of the toe, engaging the Tri Caster to provide balance necessary for one person to move the table and not let the legs drag on the floor.

The base allows unlimited height positions within its range of 5.75". Adjusts 27.25" at its lowest to 32.75" at its highest.

Manual crank is designed for "staff-only" operation.



SHEV
CHAIR

Visit Us Online
www.shevchair.com

Manufacturers of Contract Hotel Furnishings
4800 W. Roosevelt Road, STE 201 - Chicago, IL 60644
OFFICE: (888) 532-3910 FAX: (773) 261-2808
Email: SALES@SHEVCHAIR.COM



SHEV

CHAIR

Visit Us Online
»»» www.shevchair.com

Manufacturers of Contract Hotel Furnishings
4800 W. Roosevelt Road, STE 201 - Chicago, IL 60644
OFFICE: (888) 532-3910 FAX: (773) 261-2808
Email: SALES@SHEVCHAIR.COM